



Royal Industrial Suppliers

Quality Fasteners Specialist

No. 4, M.G.S. Complex, Benki Nawab Street, S.P. Road Cross, Bangalore 560002

An ISO 9001:2015 Certified Co



8310165941 / 9008782885



sales@royalfastenersindia.com

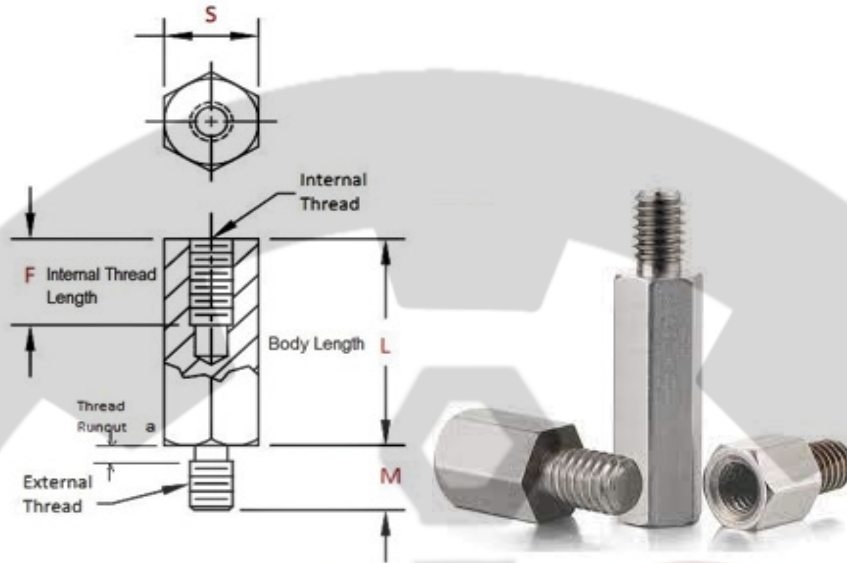


www.royalfastenersindia.com

HEX STANDOFF MF – (E.T. SPACER)

CATALOGUE NUMBER: F2D55

MS – ZN COATED



Parameter ↓	Size →	M3x0.5	M4x0.7	M5x0.8	M6x1.0
Ext Thread M		6.00	8.00	8.00	10.00
A/F (S)	Max	5.50	7.00	8.00	10.00
	Min	5.20	6.70	7.62	9.62
Ext Thread Runout a		2.00	2.80	3.20	3.20
Int Thread F	Max	6.00	8.00	8.00	8.00
	Nom	L-2mm	L-2mm	L-3mm	L-3mm

Note: Internal Thread Length will be approx 1.5mm lesser than body length.

Send your Orders / Enquiries along with the following Item Codes

All Dimensions are in MM

Length ↓	Size →	M3x0.5	M4x0.7	M5x0.8	M6x1.0
6		F2D5503006	F2D5504006		
8		F2D5503008	F2D5504008	F2D5505008	F2D5506008
10		F2D5503010	F2D5504010	F2D5505010	F2D5506010
12		F2D5503012	F2D5504012	F2D5505012	F2D5506012
15		F2D5503015	F2D5504015	F2D5505015	F2D5506015
20		F2D5503020	F2D5504020	F2D5505020	F2D5506020
25		F2D5503025	F2D5504025	F2D5505025	F2D5506025
30		F2D5503030	F2D5504030	F2D5505030	F2D5506030
35		F2D5503035	F2D5504035	F2D5505035	F2D5506035
40		F2D5503040	F2D5504040	F2D5505040	F2D5506040
45		F2D5503045	F2D5504045	F2D5505045	F2D5506045
50		F2D5503050	F2D5504050	F2D5505050	F2D5506050
60		F2D5503060	F2D5504060	F2D5505060	F2D5506060
70		F2D5503070	F2D5504070	F2D5505070	F2D5506070
80		F2D5503080	F2D5504080	F2D5505080	F2D5506080
90			F2D5504090	F2D5505090	F2D5506090
100			F2D5504100	F2D5505100	F2D5506100
110					F2D5506110
120					F2D5506120

Sizes in BLUE are non-preferred. Availability is limited and MOQ is higher.

Data is strictly informative

Note: All Austenitic Stainless Steel Fasteners may exhibit some Magnetic Properties due to the Manufacturing Process.

Refer: ISO 3506-2 Annex F